

Part Numbers:

**PT908-76192-02, PT908-76193-02,
PT908-76194-02, PT908-76195-02**

Kit Contents

Item #	Quantity Reqcd.	Description
1	1	Cargo Tray
2		
3		

Hardware Bag Contents

Item #	Quantity Reqcd.	Description
1		
2		
3		

Additional Items Required For Installation

Item #	Quantity Reqcd.	Description
1		
2		
3		

Conflicts

See General Applicability below

Recommended Tools

Personal & Vehicle Protection	Notes
Cover or blanket	
Special Tools	Notes
None	
Installation Tools	Notes
None	
Special Chemicals	Notes
None	

General Applicability

PT908-76192-02	Hi-Deck With Subwoofer
PT908-76193-02	Hi-Deck Without Subwoofer
PT908-76194-02	Lo-Deck With Subwoofer
PT908-76195-02	Lo-Deck Without Subwoofer

Recommended Sequence of Application







Item #	Accessory
1	Cargo Tray
2	Cargo Net
3	

*Mandatory

Vehicle Service Parts (may be required for reassembly)

Item #	Quantity Reqcd.	Description
1		
2		
3		

Legend

	STOP: Damage to the vehicle may occur. Do not proceed until process has been complied with.
	OPERATOR SAFETY: Use caution to avoid risk of injury.
	CAUTION: A process that must be carefully observed in order to reduce the risk of damage to the accessory/vehicle and to ensure a quality installation.
	TOOLS & EQUIPMENT: Used in Figures calls out the specific tools and equipment recommended for this process.
	REVISION MARK: This mark highlights a change in installation with respect to previous issue.
	SAFETY TORQUE: This mark indicates that torque is related to safety.

Care must be taken when installing this accessory to ensure damage does not occur to the vehicle. The installation of this accessory should follow approved guidelines to ensure a quality installation.

These guidelines can be found in the "Accessory Installation Practices" document.

This document covers such items as:-

- Vehicle Protection (use of covers and blankets, cleaning chemicals, etc.).
- Safety (eye protection, rechecking torque procedure, etc.).
- Vehicle Disassembly/Reassembly (panel removal, part storage, etc.).
- Electrical Component Disassembly/Reassembly (battery disconnection, connector removal, etc.).

Please see your Toyota dealer for a copy of this document.

1. Prepare the Vehicle

- (a) Open the package and check part for damage and kit contents.
- (b) Open trunk lid and remove any stored items and debris from trunk area.
- (c) Place vehicle protection over the trunk opening and rear bumper.

2. Install the Cargo Tray

- (a) Place the cargo tray in the trunk area with the logo towards the rear of the vehicle and facing up (Fig. 2-1).
- (b) Grasp the tray by the sides and fold it up and inward sufficiently to slide it into the rear compartment (Fig. 2-2).
- (c) After installing the tray, ensure all the edges are pushed down against the floor.

3. Complete the Installation

- (a) Remove the vehicle protection.
- (b) Close the trunk lid.

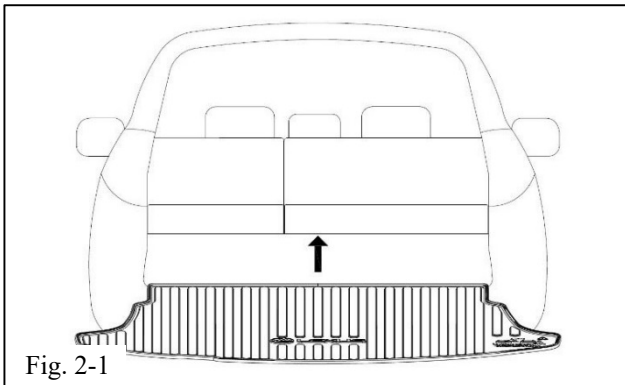


Fig. 2-1

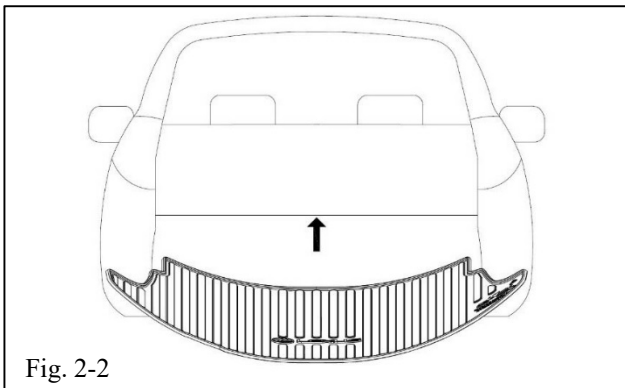


Fig. 2-2

Checklist - these points **MUST** be checked to ensure a quality installation.

Check:

Look For:

Accessory Function Checks

- Correct part number has been installed
-
-
-

Verify part number on package.

Vehicle Function Checks

-
-
-

Vehicle Appearance Check

- After accessory installation and removal of protective cover(s), perform a visual inspection.

Ensure no damage (including scuffs and scratches) was caused during the installation process.
(For PPO installations, refer to TMS Accessory Quality Shipping Standard.)